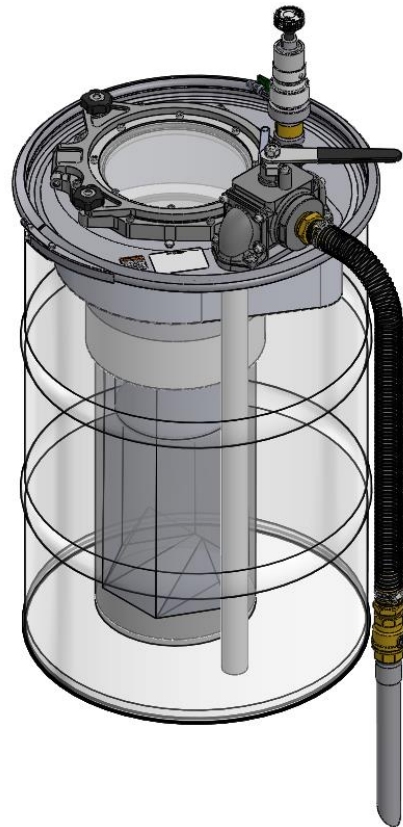


For 200L open  
Air type (with filter ) cleaner for drum can

# Manual

## ■ APDQO-FF

(Non-woven fabric specifications)



### Items

---

1	.....	For Safety
1 ~ 3	.....	Attention before the use
4	.....	Operation Conditions
4 ~ 7	.....	How to fix
8	.....	How to use
9	.....	Trouble shooting
		Filter Maintenance
10 ~ 12	.....	Specifications, External Dimensions and Part List
13	.....	Assurance & After Service

---

# For Safety:

- This Manual covers important points for safe and correct operation. We request all the users/dealers/distributor to read this Manual carefully and understand correctly, before this Product is used. (Incorrect operation may result in troubles and/or accident)
- Be noted to keep this Manual properly, so that the Manual can be immediately read at any time, whenever needed.



**Danger**

This sign means that incorrect operation may highly result in possible risk causing death or serious injuries.



**Warning**

This sign means that incorrect operation possibly result in risk causing death or serious injuries.



**Caution**

This sign means that incorrect operation may result in injury or property loss.

## Attention before the use



**Danger**



- **Operate the Product correctly, after the manual for liquid is carefully read.**



- **In case the used liquid touches the body or skin:**  
In case the used liquid touches the body or skin, or is mistakenly drunk, immediately take care properly, according to liquid manual, or contact a doctor.



- **Be sure to use the Product at “No Fire” zone.**  
Be sure the Product to be earthed, before the operation, when the explosive liquid is used, or operated at hazardous area. Static electricity may cause the fire.



## Warning



.....  
○ **Operate at safe places only:**

Operate at safe places only, where no infants/children play.  
Keep watching while operated.  
.....



.....  
○ **Contact a doctor:**

Whenever the operators feels uncomfortable during the operation, immediately contact a doctor.  
.....



.....  
○ **Wear the protectives:**

Always wear the protectives, according to the liquid manual.  
.....



.....  
○ **Do not disassemble, repair and/or remodel:**

Unauthorized person is not allowed to disassemble, repair and/or remodel the Product.  
.....



.....  
○ **Always use new liquid:**

Whenever the liquid is changed, be sure to wipe previous liquid out, completely wash away, and then apply new liquid. Once the liquids are mixed together, chemical reaction may be generated.  
.....

.....  
○ **Acceptable temp. for the liquid:**

Acceptable temp. for the liquid is 0-60°C.  
.....



## Caution



.....  
○ **Contact us for inspection or repair**

In case the Product does not properly work or anything abnormal is found, immediately stop the operation, and contact your purchase shop for inspection or repair.  
Otherwise, it may cause an accident or injury.  
.....



○ **Do not shock the Product:**

The shock may trouble normal function, and may cause trouble and/or liquid leakage.

---



○ **After used, completely take the liquid in a cleaner out:**

The remained liquid may cause the rust, which may cause trouble or ruin the performance.

○ **Remove the moisture in the pressed air:**

In case of handling the liquid, remove the moisture in the compressed air by air-filter. (Separately sold)

○ **In case the product is moved or a person in charge is changed:**

Always attach this Manual with the Product or transfer together.

○ **In case this Manual is lost or damaged:**

Please order to sales shop.

○ **APDQO-FF is for indoor application only:**

In case used outdoor, be sure to apply the cover or to operate in a hut, so that the product is protected from wind and/or rain.

○ **The installer/seller of this Product is requested:**

To pass this Manual to the person in charge of the operation.

○ **Be sure to use the compressor with 5Hp or higher.  
(0.4~0.6MPa)**

○ **This Product is designed for a drum can application**

Do not use for any other applications.

○ **If the air is filled in, the air is discharged from the exit mouth. Pay attention for its direction.**

○ **Just before the tank is full, the liquid may get out together with discharged air.**

○ **Be sure to use the hose with dia.3/8 or bigger:**

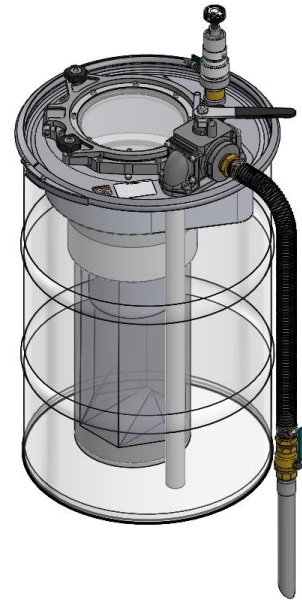
If the hose dia.is not big enough, the pressure is ruined, resulting in less performance.

(The couple with 20PM is attached)

# Operation

## Operation Condition

1. Apply to 200L Open Drum can (JIS Specification)
2. Supplying Air Pressure : 0.4~0.6Mpa

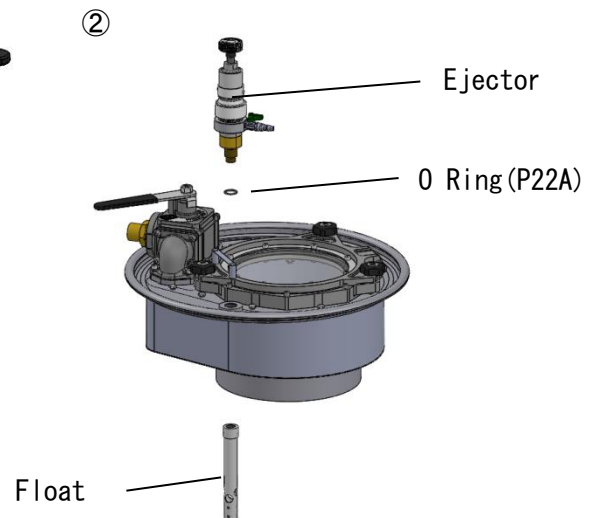
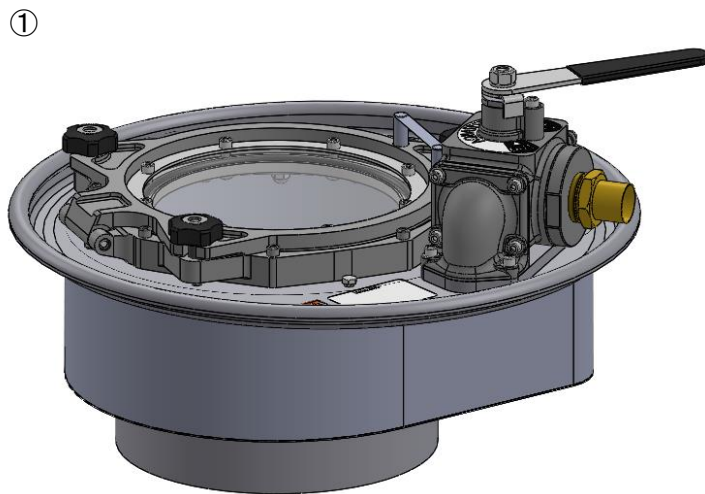


※ Open drum can is not attached.

## How to Fix

- ※ This product is packed.
- ※ As total weight is 38.5Kg, be careful for handling, when fixed.  
Carry on fixing, according to the procedures ① to ⑩.

- ① shows when unpacked.
- ② Shows to fix the ejector and float portion as shown in ②.

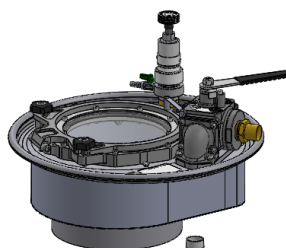


③ Discharging pipe to be fixed.

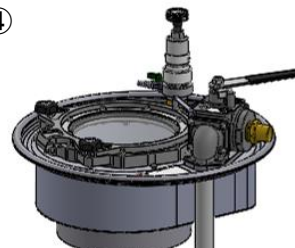
④ Place it on a drum can.

※As the weight is 35Kgs, be careful for handling.

③



④

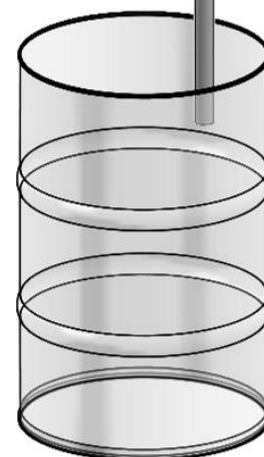


One Side Long Nipple



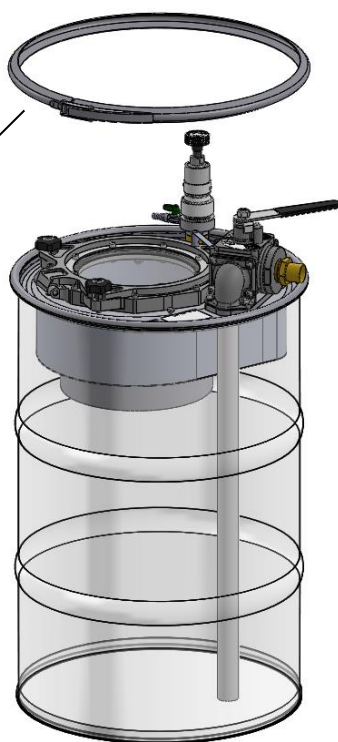
⑤ Firmly fix the Product and a drum can with the band

⑥ Unscrew 3 knobs and open the lid .

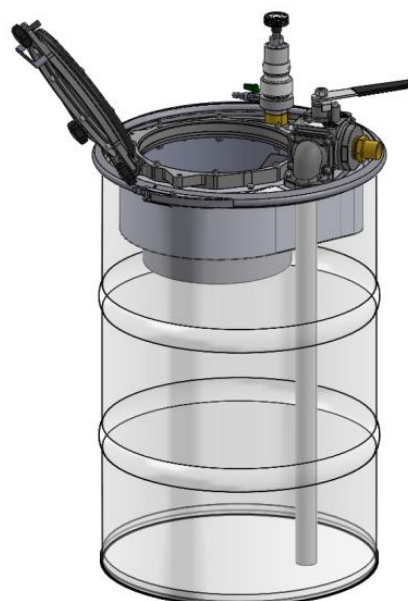


⑤

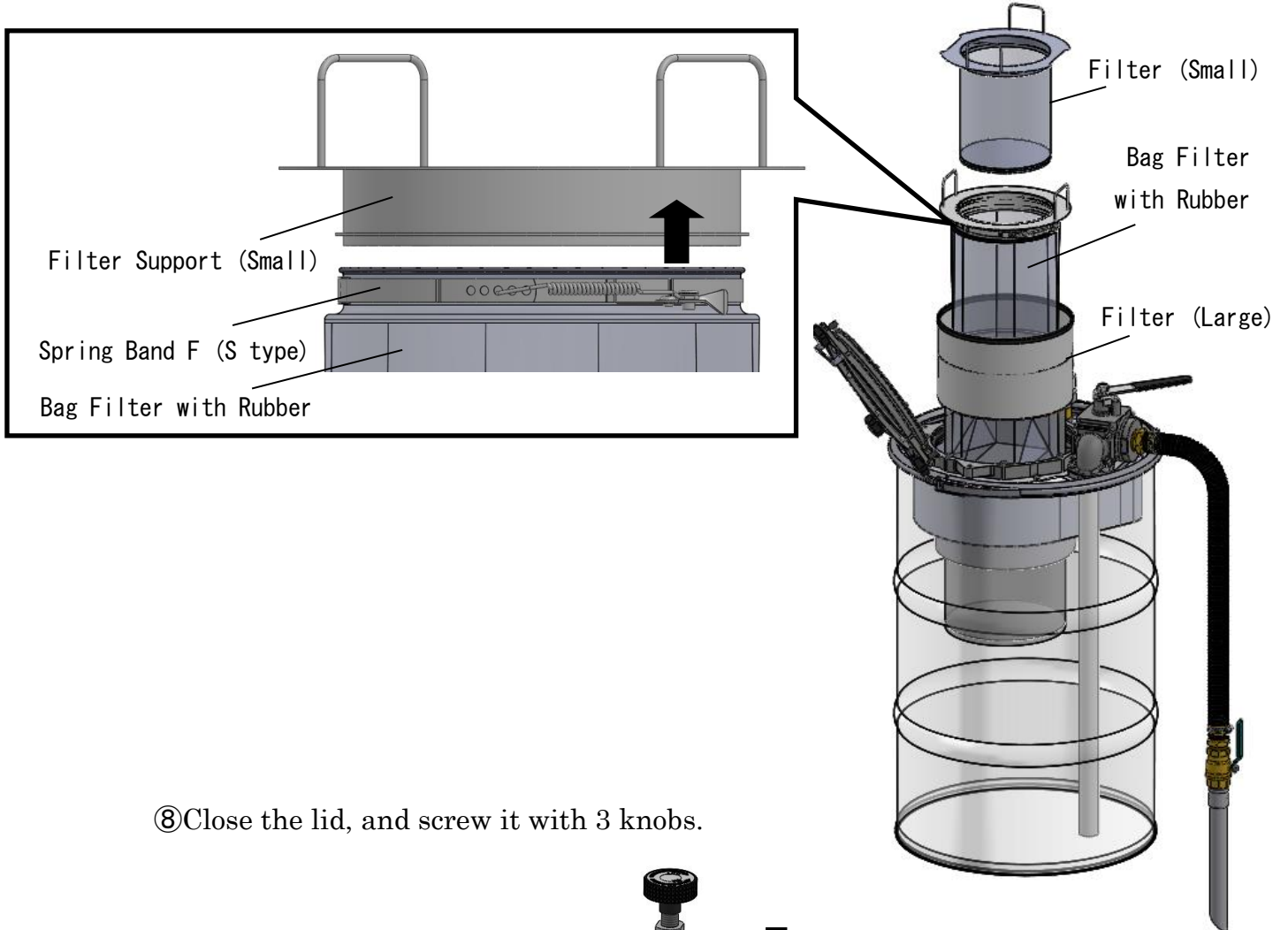
Outside Lever Band



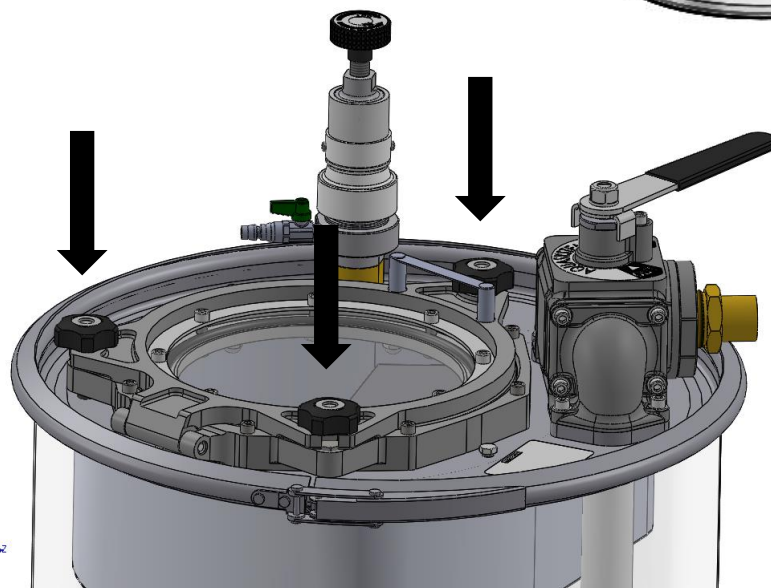
⑥



- ⑦ Fix bag filter with rubber on filter support (small) with spring band F (S type), as below picture shows.  
Fix filter (large), filter support (small) and filter (small) in order.



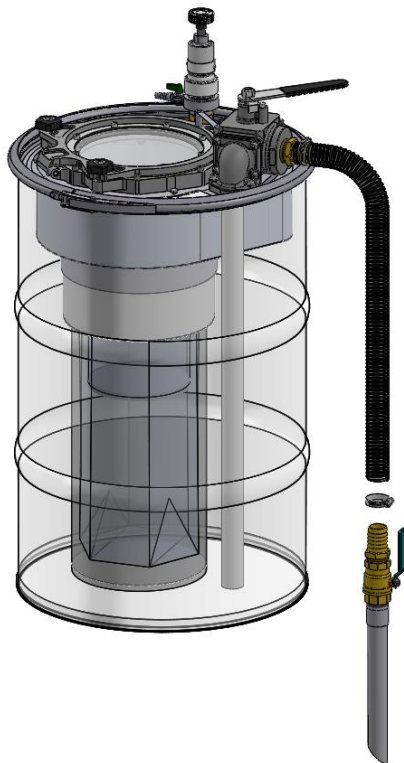
- ⑧ Close the lid, and screw it with 3 knobs.



⑨ Attach fix hose and hose band.



⑩ Connect the head of ball valve and discharging/suction pipe, and hose crip (large) to the hose.



Then, fixing job is completed.



# How to use

1. Make sure the lid is screwed with 3 knobs.
2. Make sure supply pressure is strong enough(0.4~0.6Mpa).
3. Supply the compressed air to the coupler of ①ejector ASSY.  
(Equivalent to NITTO-KOUKI 20PM)

## 【Collection to a drum can→to stop】

1. Connect a coupler (air hose, equivalent to NITTO KOUKI 20PM) to air coupler (B).
2. Turn ejector (A) to IN side.
3. Turn valve (C) to IN side.
4. Open air coupler (B).
5. Open ball valve(D).

Then, the collection job is possible.

6. Open ball valve (D)
7. Close air coupler (B)  
Then, you can stop operation.

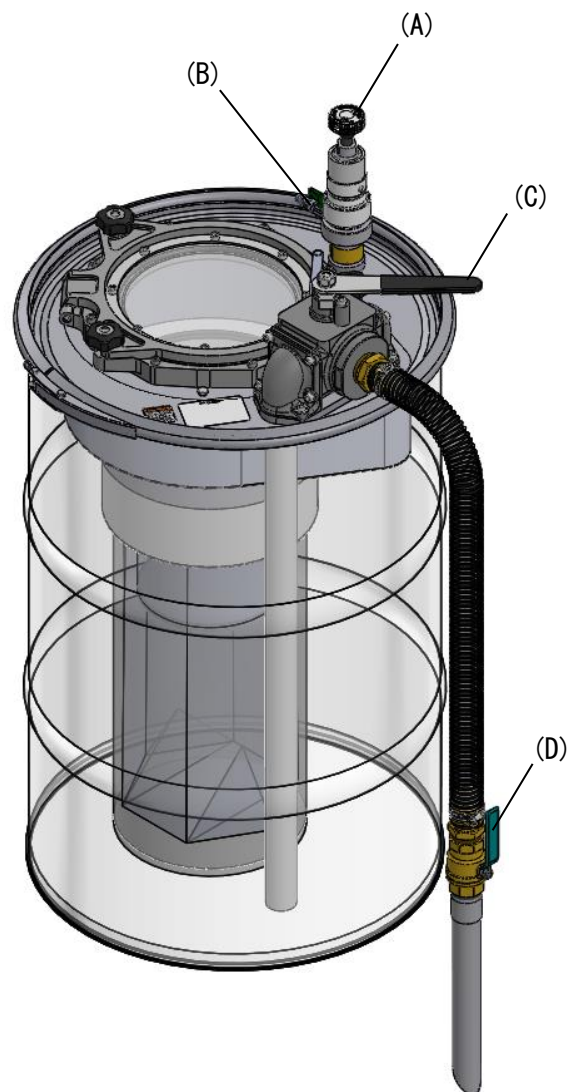
## 【The discharge from a drum can→to stop】

1. Connect a coupler (air hose, equivalent to NITTO KOUKI 20PM) to air coupler(B).
2. Turn ejector(A) to OUT side.
3. Turn valve (C) to OUT side.
4. Open air coupler (B).
5. Open ball valve (D).

Then, you can start discharging.

6. Close ball valve (D)
7. Close air coupler (B)  
Then, you can stop the operation.

As the pressure is kept in a drum can,  
keep ejector knob (A) to IN side.



# Trouble Shooting

1. In case suction function does not work, make sure

- If air-hose is firmly connected.
- If air valve is open.
- If a drum can is not deformed or damaged.
- If a hose or filter is not clogged.

2. In case suction volume is not much enough, make sure

- If the pressure to the pump is strong enough (0.4~0.6Mpa).
- If air valve is fully open
- If viscosity is not too high

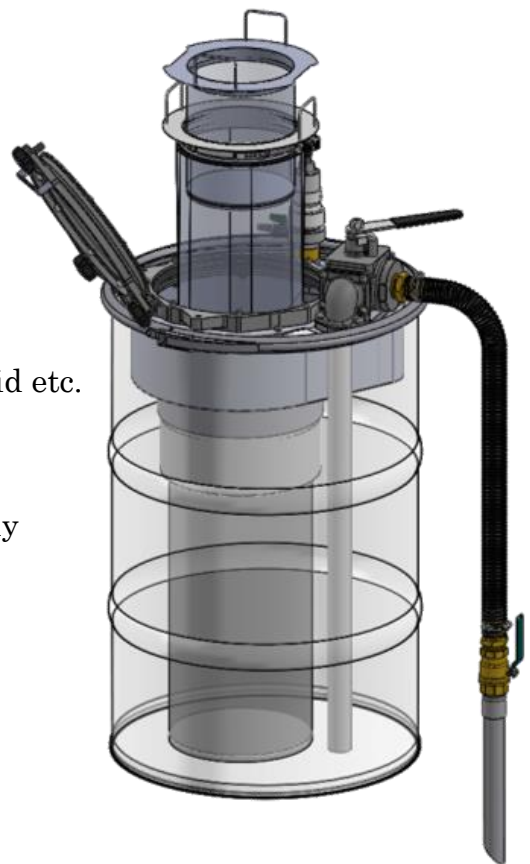
If anything unusual is found, be sure not to disassemble the Product.  
Please contact us or purchase shop.

# Filter Maintenance

Bag filter with rubber and filter (small) are kept inside.

Open the lid, and take bag filter, and filter (small) out, as right picture shows.  
Wash back filter with water or washing liquid etc.  
Please exchange a dirty cruel it.

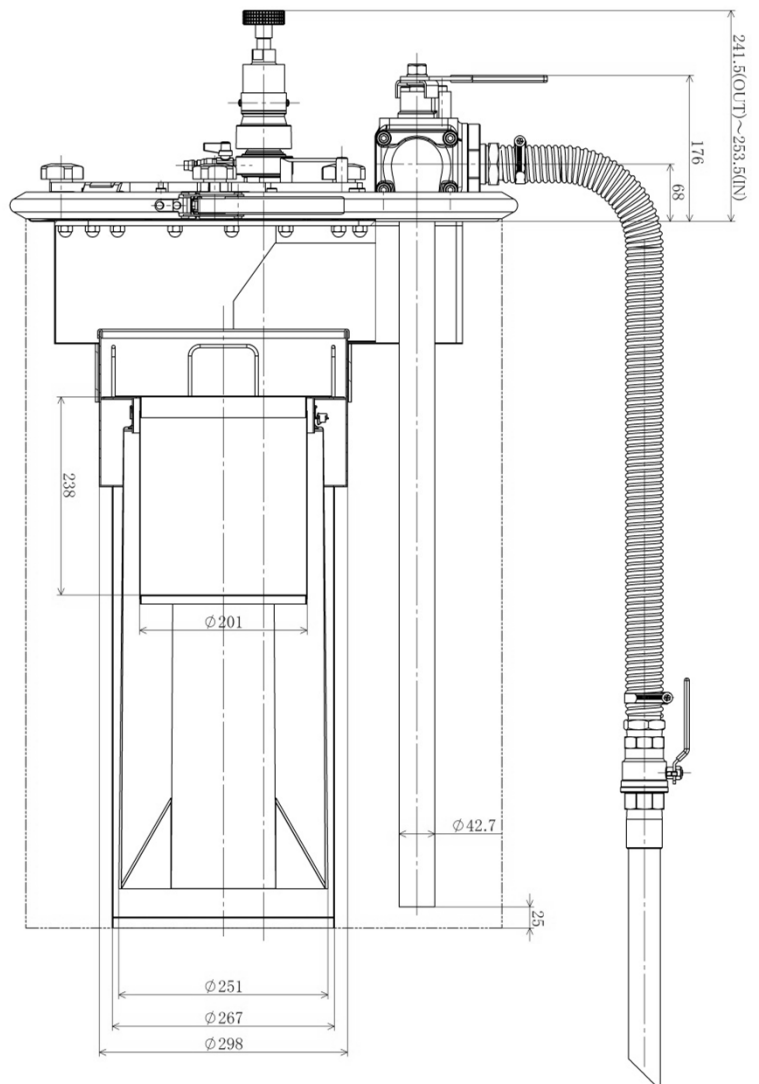
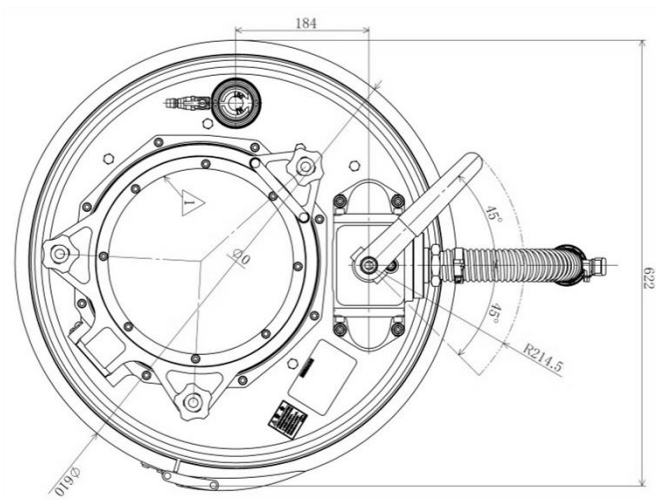
※ Always wear protection glasses, and carefully take care of splashing machining dust etc.

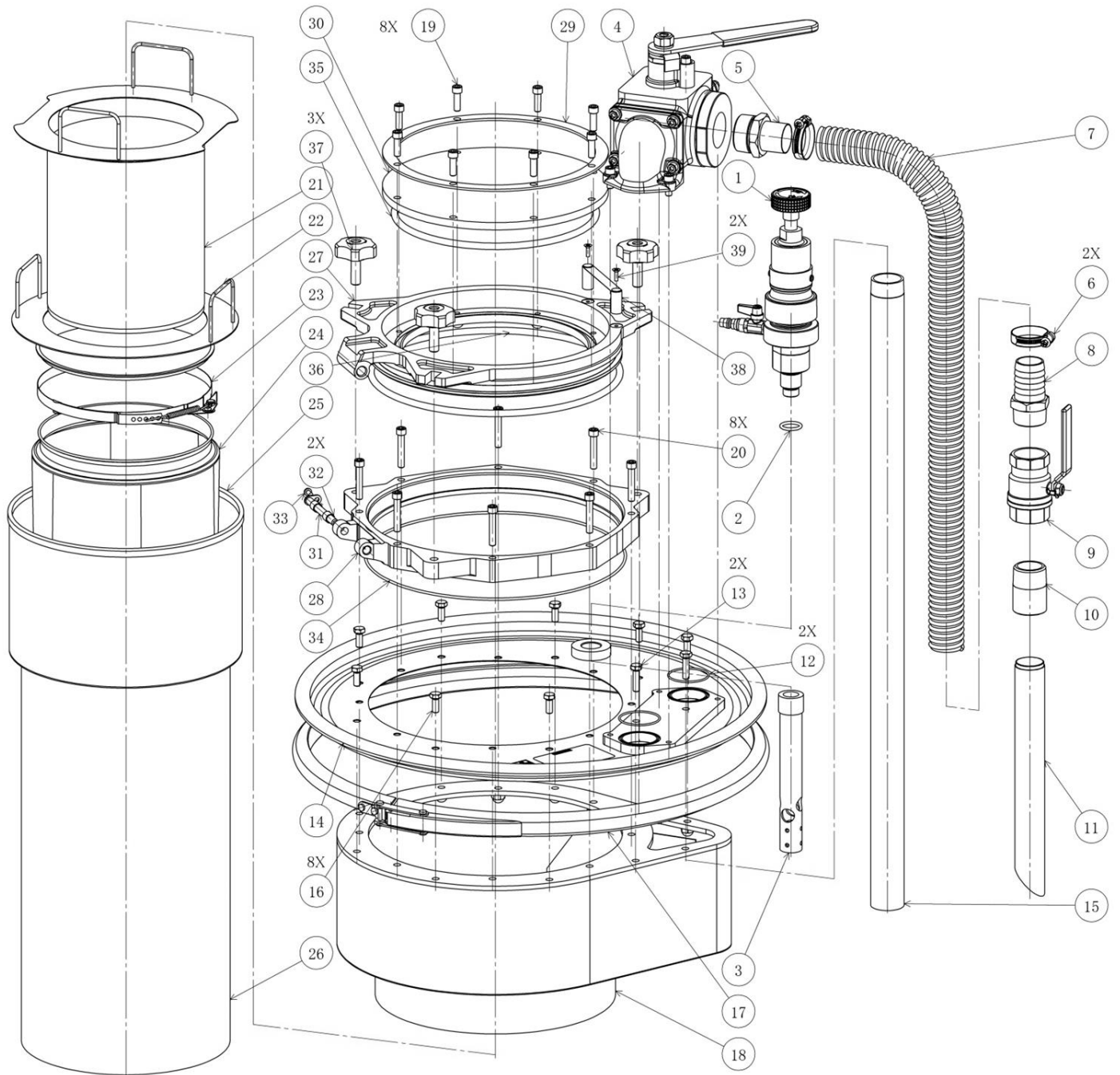


# Specifications

Model	Liquid to be used	Discharging Volume (L/min)	Sucking Volume (L/min)	Lifting Height	Materials			Noise (dB)
APPQO-FF (Non-woven fabric)	Oil (Cutting Oil)	140	110	2.5	Main Body, Nozzle	Packing	Hose	90
					Aluminum	CR Rubber	PVC2m	

## External Dimension





## Parts List:

No.1	Parts Name	Material	Q'ty	Remarks
1	Ejector ASSY	N.A	1	
2	O Ring	Florine	1	P22A
3	Guide Pipe 210 ASSY	N.A	1	
4	Valve ASSY	N.A	1	
5	Hose Nipple	C3771	1	R1-1/2, Dia.38
6	Hose Crip (Large)	SUS430+Fe	2	SGT W2/12, 35-50
7	Hose	PVC	1	Inner Dia.38, L=2000mm
8	Hose Nipple	C3771	1	R1-1/4
9	Ball Valve	C3604	1	Rc 1-1/4
10	Connector	A5056	1	
11	Discharging/Suction Pipe	A6063	1	
12	O Ring	NBR	2	S50
13	Hexagon Bolt	SUS304	2	M8 x 30
14	Top Plate	SPCC/SS400	1	
15	One Side Long Nipple	SGP	1	White plating, 32A*850L
16	Hexagon Bolt	SUS304	8	M8 x 20
17	Outside Lever Band	SPCC	1	For 200L (Dia.610)
18	Filter Receiver	SPHC	1	
19	Bolt with Hexagon Hole	SUS	8	M8 x 25
20	Bolt with Hexagon Hole	SUS	8	M8 x 45
21	Filter (Small)	SUS303	1	
22	Filter Support (Small)	SUS304	1	
23	Spring Band F (S type)	SUS303	1	Width 13mm, Dia.219
24	Bag Filter with Rubber	Valve. Polyester, NBR	1	TH50, 365 x 650
25	Trim	TPE, A5052	1	62-16-B-5T-15
26	Filter (Large) for Punching only	SU303	1	
27	Lid F (Upper)	AC2B	1	
28	Lid F (Lower)	AC2B	1	
29	Lid F (Rev)	SUS304	1	
30	Lid (Acryl, Rev)	PMMA	1	
31	Pin F	SUS303	1	
32	Dry Met LF Bush	PTFE, Bronze	2	LFB1012
33	Pan-Head Screw with Cross Point	SUS	1	M5 x 10
34	O Ring	NBR	1	GS-330
35	O Ring	NBR	1	G250
36	O Ring	NBR	1	P300 Hardness 50°
37	Knob	SUS, NA66	3	SK-53-WH NBK M&M M12 x 40
38	Handle	ZDC, ABS	1	A-42-J6
39	Counter Sunk Screw	Unichrome Plating	2	M5 x 15

## Assurance • After Service

Thank you for choosing our product. Our product is produced strictly under our regulations and quality control. However, if any of the defects, related with our production processes, is found, our assurance covers, according to the below limitation.

1. To repair:

To order the parts or request for repair, prepare to inform us Part No., Mfg No., the purchased date with the receipt and then contact the purchased shop.

2. Within 12 months after the purchased date, if the below case\* happens, we will repair it at free of charge.

\* Despite of regular maintenance and/or inspection specified in Manual, if the trouble or damage happens due to the defect of our design or assembling, within 12 months from the purchased date.

※However, we are not responsible for all and any expenses or other damages related with the above trouble and/or damage due to the defect of the product.

※When the free repair is taken care, if the part replacement is judged necessary by us, as the consumables, the expenses for such replaced parts shall be borne by the user.

3. If the assurance period of 12 months is over, or the above assurance condition does not meet even within the assurance period of 12 months, the repairing expenses shall not be covered by us, but borne by the user.

(Also, in case our product is applied to other manufacturer's product, we take no responsibility and our assurance cannot be applied)

4. In any case, delivery cost both to us and from us shall be borne by the user/customers.

5. Exception from our responsibility (even within 12 months from purchased date)

① Any problems, due to wrong handling (not following our Manual)

② Any problems, due to repair, disassemble or remodel by a third party.

③ Any problems, due to improper storing or improper maintenance.

④ Any problem, without evidence to show the purchase of our product, such as invoice or receipt etc.

⑤ Unusual part consumption, due to heavy uses.

Contact the below for any question/request on the repair or after-service within assurance period.

<p>《Customer Service》 AQUASYSTEM Co., Ltd. 【Technical Service】 Tel +81 (0) 749-23-9139</p>
--

MEMO



**アクアシステム株式会社**

**Sugoshi Factory**

Sugoshi-cho 1190, Hikone-shi  
Shiga-ken, 522-0058 Japan  
Tel 0749-23-9139 Fax 0749-23-

**Head Office**

Kyo-machi 1-3-1 K1 2F, Hikone-shi  
Shiga-ken, 522-0081 Japan  
Tel 0749-23-9139 Fax 0749-23-9122